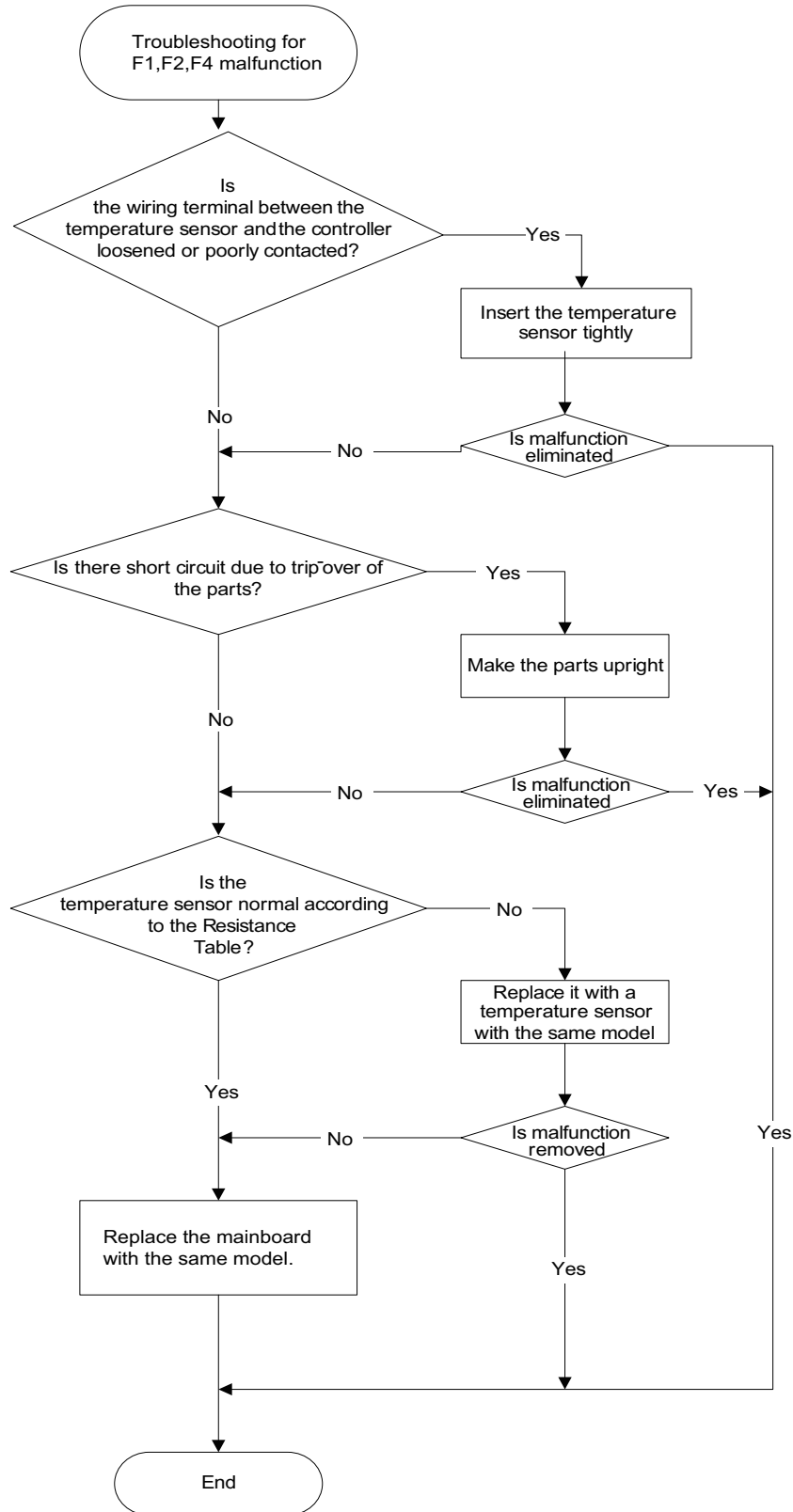
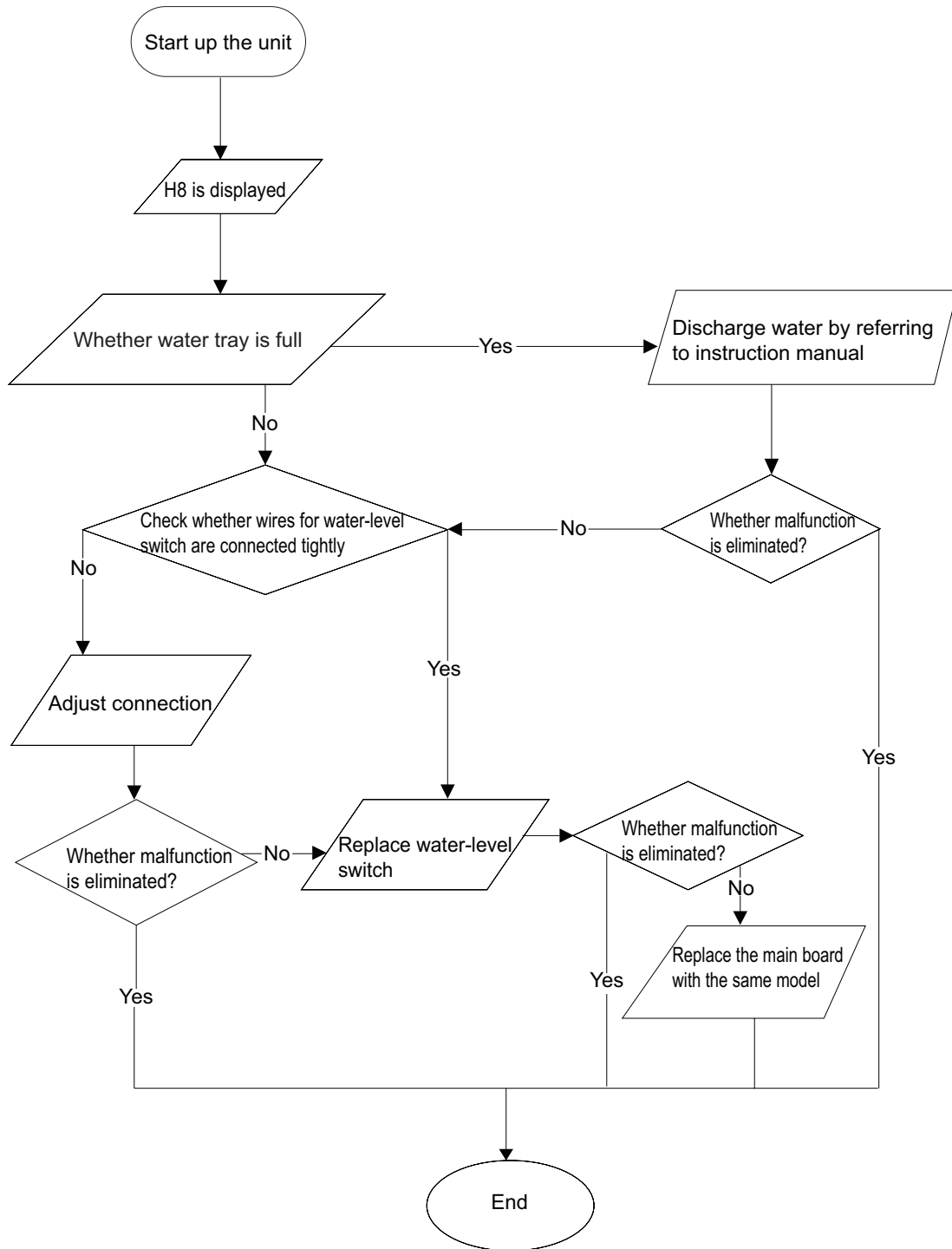


10.5 Malfunction Detection Flowchart

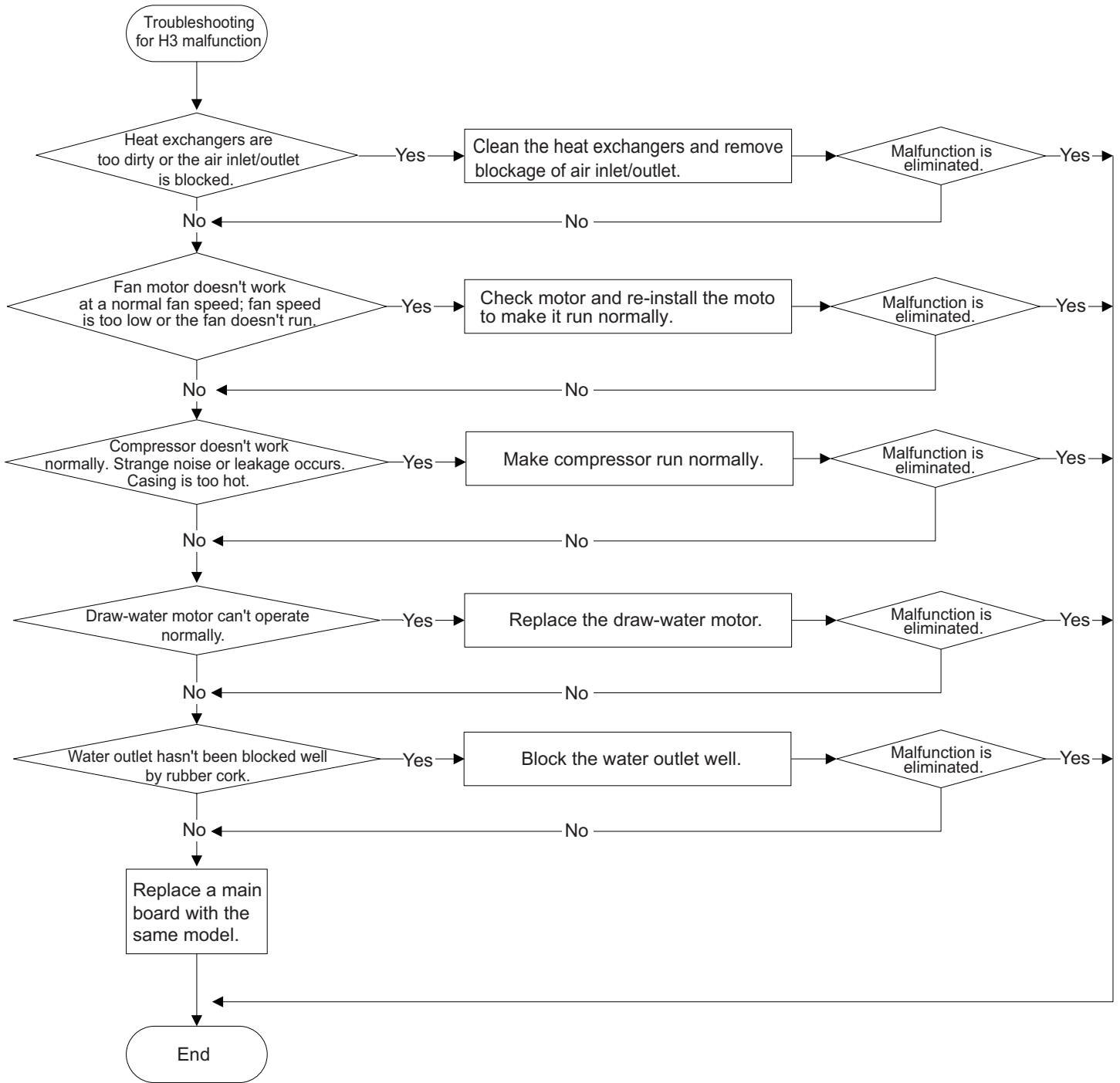
(1) Malfunction of temperature sensor F1, F2, F4



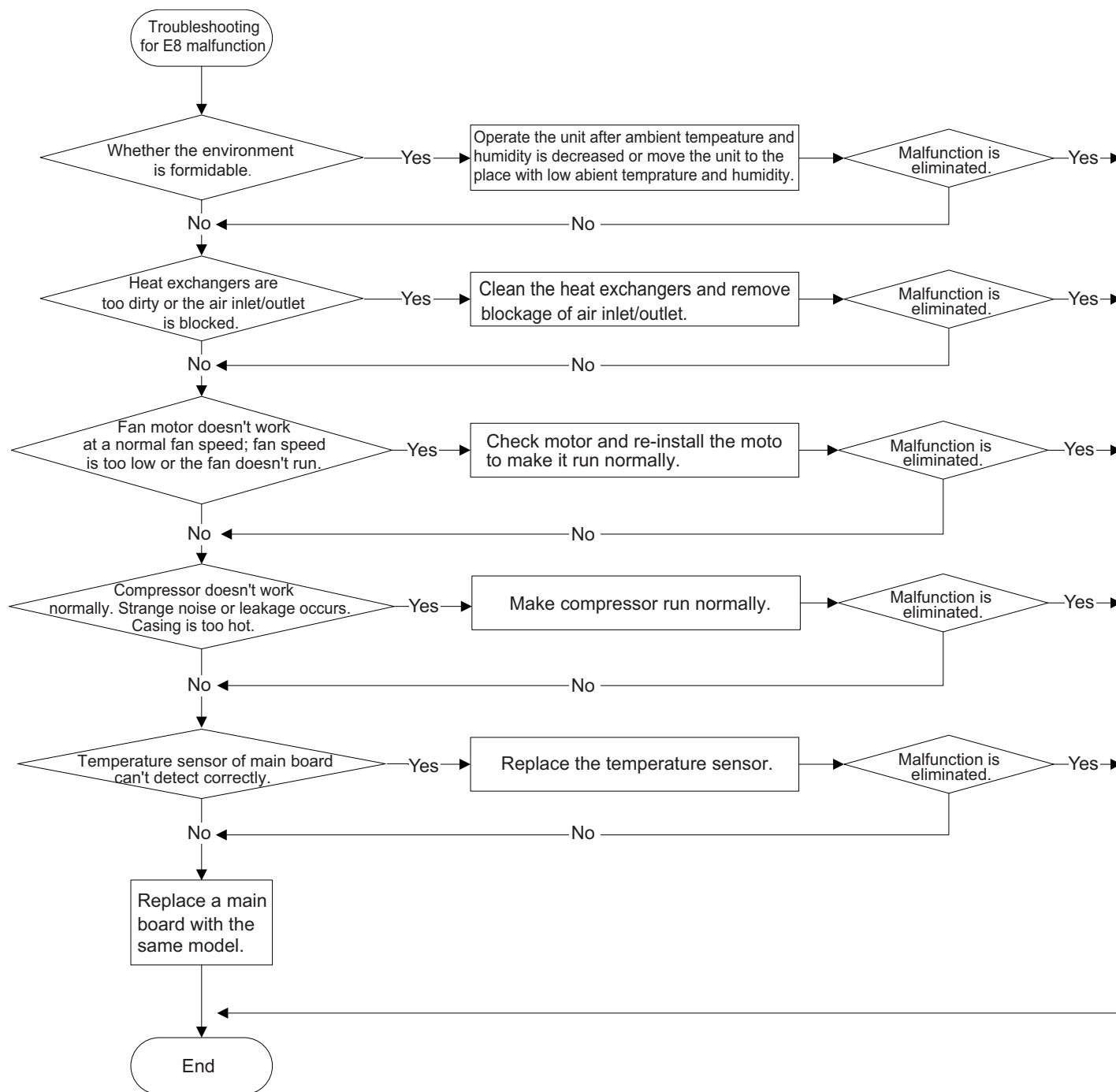
(2) Bucket full protection H8



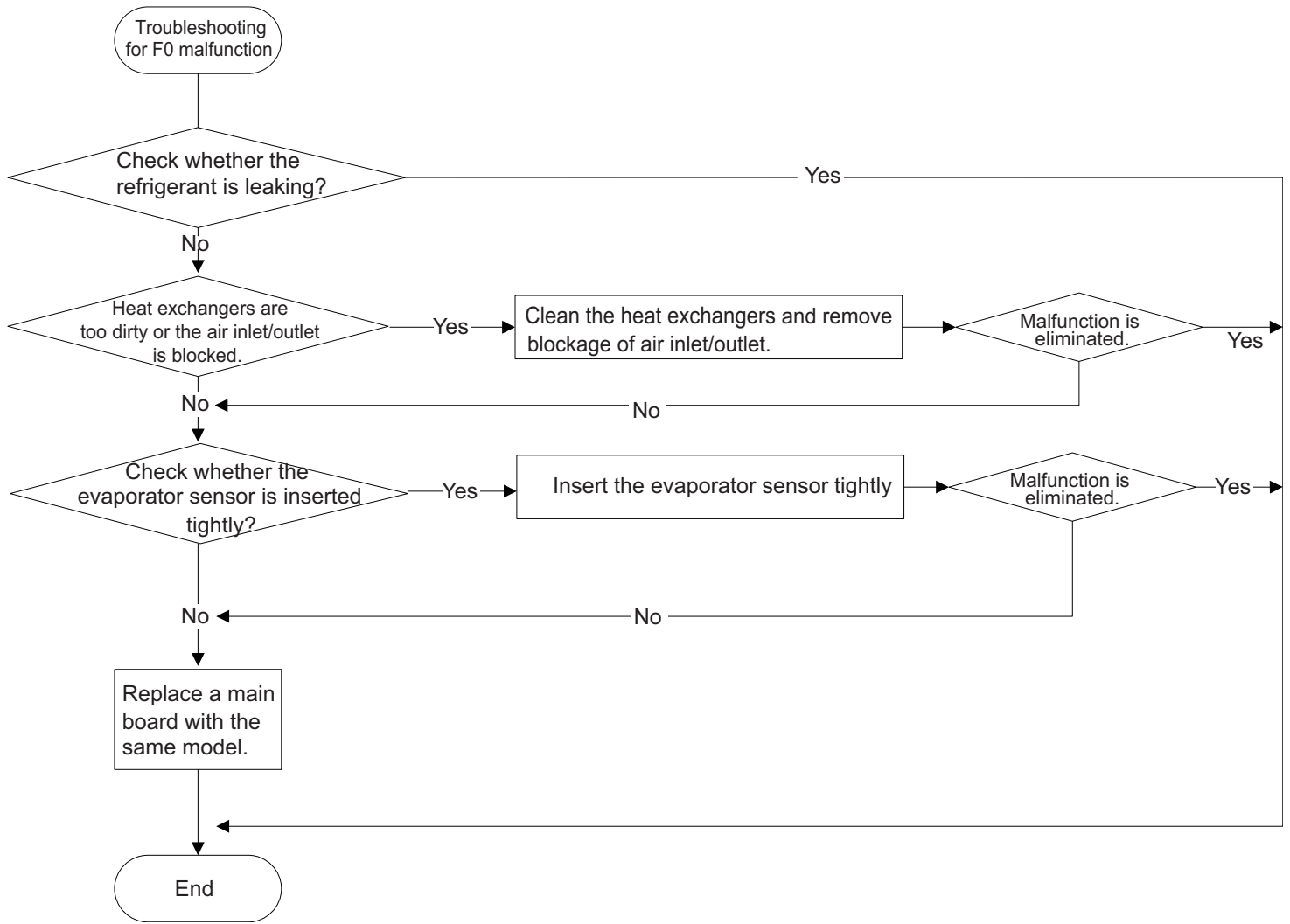
(3) Malfunction of Overload protection for compressor H3



(4) Overload malfunction E8



(5) Malfunction of Insufficient Refrigerant protection F0



10.6 Maintenance Method for Common Malfunction

1. Air Conditioner Can't be Started Up

Possible Causes for Malfunction	Distinguish Method (A/C status)	Maintenance Method
No power supply; power plug hasn't been inserted tightly and poorly connected; wires haven't been connected well.	Operation indicator is OFF and buzzer won't give out sound.	Check whether there's power supply; Check power plug and wire connection.
Ambient temperature sensor is damaged (no connection, loosen, wires are damaged, resistance value for temperature sensor is abnormal).	After energization, the unit will give out a sound, while it can't be started up after pressing ON/OFF button.	Check wire connection of temperature sensor or replace temperature sensor.
Electric leakage for air conditioner	After energization, room circuit breaker trips off at once.	Make sure the air conditioner is grounded reliably. Make sure wires of air conditioner are connected correctly. Check the wiring inside air conditioner. Check whether the insulation layer of power cord is damaged; if yes, place the power cord.
Model selection for air switch is improper	After energization, air switch trips off.	Select proper air switch.
Malfunction of remote controller	After energization, operation indicator is bright, while no display on remote controller or buttons have no action.	Replace batteries for remote controller. Repair or replace remote controller.
Water inside water chassis is full	Dual8 nixie tube displays H8 and buzzer gives out 8 sounds (water over-flow protection).	Discharge condensate water.
Malfunction of water-level switch		Check water-level switch and connection (refer to detection flow chart 3).

2. Poor Cooling (Heating) for Air Conditioner

Possible Causes	Discriminating Method (Air conditioner Status)	Troubleshooting
Set temperature is improper	Observe the set temperature on remote controller	Adjust the set temperature.
Fan speed is set too slow	Small fan blow at air outlet	Set the fan speed at high or medium.
Filter unit is blocked	Check the filter to see whether it's blocked by sundries	Clean the filter.
Refrigerant is leaking	Discharged air temperature during cooling is higher than normal discharged wind temperature; Discharged air temperature during heating is lower than normal discharged wind temperature; Units pressure is much lower than regulated range	Please contact the after-sales service person.
Evaporator is frosted	Has set COOL (DRY) mode, but there's no cool fan	The system is defrosting. Resume operation after defrosting is finished.
Malfunction of capillary	Discharged air temperature during cooling is higher than normal discharged wind temperature; Discharged air temperature during heating is lower than normal discharged wind temperature; Unit pressure is much lower than regulated range. If refrigerant isn't leaking, part of capillary is blocked	Replace the capillary.
Malfunction of fan	Fan Can't operate	Refer to point 3 for detailed maintenance method.
Malfunction of compressor	Compressor Can't operate	Refer to point 4 of maintenance method for details.

3. Fan Can't Swing

Possible Causes	Discriminating Method (Air conditioner Status)	Troubleshooting
Wrong wire connection, or poor connection	Check the wiring status according to circuit diagram	Connect wires according to wiring diagram to make sure all wiring terminals are connected firmly
Fan capacitor is damaged	Use universal meter to measure voltage at both ends of fan capacitor	Replace fan capacitor
Supply voltage is too low or too high	Use universal meter to measure the voltage	You are suggested to equip with voltage regulator
Motor is damaged	Above circumstances are normal, while the fan Can't operate	Repair or replace motor

4. Compressor Can't Operate

Possible causes	Discriminating method (air conditioner status)	Troubleshooting
Wrong wire connection, or poor connection	Check the wiring status according to circuit diagram	Connect wires according to wiring diagram to make sure all wiring terminals are connected firmly
Capacity of compressor is damaged	Measure the capacity of fan capacitor with an universal meter and find that the capacity is out of the deviation range indicated on the nameplate of fan capacitor.	Replace the compressor capacitor
Power voltage is a little low or high	Use universal meter to measure the power supply voltage. The voltage is a little high or low	Suggest to equip with voltage regulator
Coil of compressor is burnt out	Use universal meter to measure the resistance between compressor terminals and its 0	Repair or replace compressor
Cylinder of compressor is blocked	Compressor Can't operate	Repair or replace compressor

5. Unit hasnt stop operation afer bucket full or bucket full protection occurs frequently

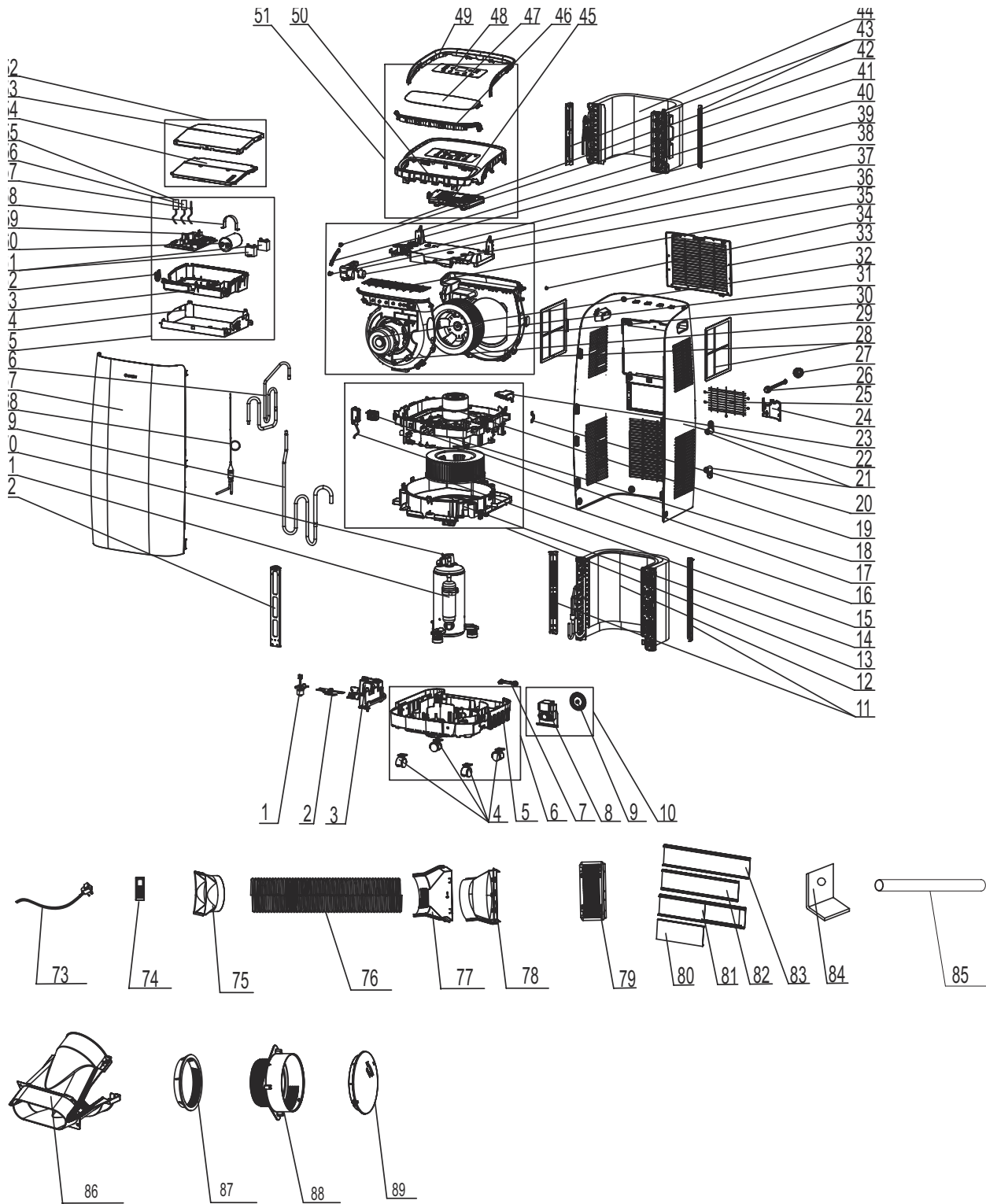
Possible causes	Discriminating method (air conditioner status)	Troubleshooting
Water-level switch is open-circuited	The unit hasnt stop operation when water is full and theres water leakage	Check and repair the water-level switch
Draw water motor is damaged	Water over-flow protection occurs frequently and H8 is displayed	Replace draw water motor

6. Abnormal Sound and Vibration

Possible causes	Discriminating method (air conditioner status)	Troubleshooting
When turn on or turn off the unit, the panel and other parts will expand and theres abnormal sound	Theres the sound of "PAPA"	Normal phenomenon. Abnormal sound will disappear after a few minutes.
When turn on or turn off the unit, theres abnormal sound due to flow of refrigerant inside air conditioner	Water-running sound can be heard	Normal phenomenon. Abnormal sound will disappear after a few minutes.
Therere foreign objects inside air conditioner or parts are contacting with each other	Abnomal sound	Take out foreign objects. Adjust the position of parts. Stick damping plaster between contacting parts.
Abnormal shake of compressor	Outdoor unit gives out abnormal sound	Adjust the support foot mat of compressor, tighten the bolts.
Abnormal sound inside the compressor	Abnormal sound inside the compressor	If add too much refrigerant during maintenance, please reduce refrigerant properly. Replace compressor for other circumstances.

11. Exploded View and Parts List

GPC10AN-K5NNA1A
GPC12AN-K5NNA1A



The component picture is only for reference please refer to the actual product.

NO.	Description	Part Code			Qty
		GPC10AN-K5NNA1A	GPC12AN-K5NNA1A		
		Product Code	CK010032300	CK010032400	
1	Liquid Level Switch	4501008001	4501008001	4501008001	1
2	Supporter(LiquidLevelSwitch)	012060001586	012060001586	012060001586	1
3	fixed support (Compressor)	20011500074	20011500074	20011500074	1
4	Castor	24236009	24236009	24236009	4
5	Chassis Sub-assy	209020060010	209020060010	209020060010	1
6	Chassis Assy	209058060102	209058060102	209058060102	1
7	Drainage Plug for Base Plate	760015000001	760015000001	760015000001	1
8	Fan Motor	15010100013402	15010100013402	15010100013402	1
9	Splash Water Flywheel	10336003	10336003	10336003	1
10	Motor Sub-assy(Flutter)	000089060002	000089060002	000089060002	1
11	Supporting Board 1	01796035	01796035	01796035	2
12	Condenser Assy	/	/	/	/
13	Air Duct Sub-assy 1	017107060018	017107060018	017107060018	1
14	Motor Holder (Lower)	200121060005	200121060005	200121060005	1
15	Centrifugal Fan	10316079	10316079	10316079	1
16	Detecting Plate	300018060062	300018060062	300018060062	1
17	Display Board	300001060305	300001060305	300001060305	1
18	Diversion Circle (lower)	200150060004	200150060004	200150060004	1
19	Fan Motor	150101000003	150101000003	150101000003	1
20	Wire Clamp	71010103	71010103	71010103	1
21	Clamp	7101600508	7101600508	7101600508	2
22	Rear Plate	200245060004	200245060004	200245060004	1
23	Water Retaining Box	200107000002	200107000002	200107000002	1
24	Cable Cross Plate	200147060002	200147060002	200147060002	1
25	Rear Grill	01476050	01476050	01476050	1
26	Rubber Plug	76001606000301	76001606000301	76001606000301	1
27	Cover of drainage hole	200170060001	200170060001	200170060001	1
28	Filter Sub-assy 2	111001060051	111001060051	111001060051	2
29	Motor Holder (Upper)	200121060004	200121060004	200121060004	1
30	Centifugal Fan	103003060009	103003060009	103003060009	1
31	Diversion Circle (Upper)	200150060005	200150060005	200150060005	1
32	Fan Motor	1501620809	1501620809	1501620809	1
33	Filter Sub-assy 1	111001060050	111001060050	111001060050	1
34	Axile Bush	10542704	10542704	10542704	1
35	Rear Grill	016001060018	016001060018	016001060018	1
36	Stepping Motor	1521210803	1521210803	1521210803	1
37	Crank 1	200023060003	200023060003	200023060003	1
38	Fixed support (sweep motor)	200115060009	200115060009	200115060009	1
39	Connecting Rod	200081060020	200081060020	200081060020	1
40	Cover of Volute	200223060002	200223060002	200223060002	1
41	Crank 2	200023060002	200023060002	200023060002	1
42	Air Duct Sub-assy 2	017107060019	017107060019	017107060019	1
43	Supporting Board 3	01207200097	01207200097	01207200097	2
44	Evaporator Assy	/	/	/	/
45	Display Board	300001000269	300001000269	300001000269	1
46	Decorative Strip 1	230001060063	230001060063	23000106006301D	1
47	Guide Louver	200004060036	200004060036	200004060036	1
48	Membrane	600006060072	600006060072	600006060072	1
49	Decorative Strip 2	230001060064	230001060064	23000106006401D	1
50	Top Cover	200106060010	200106060010	200106060010	1
51	Top Cover Assy	000097060099	000097060099	000097060116	1
52	Electric Box Cover Sub-Assy	017053060019	017053060019	017053060019	1
53	Electric Box Cover	012020060124	012020060124	012020060124	1
54	Electric Box Cover1	200082060030	200082060030	200082060030	1

55	Tube sensor	390002073	390002073	390002073	1
56	Tube sensor	390000592	390000592	390000592	1
57	Temperature Sensor	390000456	390000456	390000456	1
58	Capacitor Clamp	02143401	02143401	02143401	1
59	Main Board	300002060432	300002060432	300002060432	1
60	Capacitor CBB65	33000081	3300008101	3300008101	1
61	Capacitor CBB61	3301074710	3301074710	3301074710	2
62	Pass Wire Ring Sub-assy	76614102	76614102	76614102	1
63	Electric Box	012017060183	012017060183	012017060183	1
64	Electric Box Sub-Assy	017007060387	017007060387	017007060387	1
65	Electric Box Assy	100002064087	100002064086	100002064086	1
66	Discharge Tube Sub-assy	/	/	/	/
67	Front Panel	200003060065T	200003060065T	200003060065T	1
68	Capillary Sub-assy	030006060402	030006060281	030006060281	1
69	Inhalation Tube Sub-assy	/	/	/	/
70	Covering Plate	01256026A	01256026A	01256026A	1
71	Compressor and Fittings	009001000174	009001060138	009001060138	1
72	Supporting Strip	01796007	01796007	01796007	1
73	Power Cord	4002046423	4002046423	4002046423	1
74	Remote Controller	305001000093	305001000093	305001000093	1
75	Tie-in 1	20010900023	20010900023	20010900023	1
76	Pipe	05236058	05236058	05236058	1
77	Rear Clip (upper)	26116132	26116132	26116132	1
78	Rear Clip (nether)	26116135	26116135	26116135	1
79	Mothproof Net	/	/	/	/
80	Baffle Plate	/	/	/	/
81	Back Plate1	/	/	/	/
82	Adjusting plate	/	/	/	/
83	Back Plate 2	/	/	/	/
84	Window Locking Bracket	/	/	/	/
85	Drainage Hose	/	/	/	/
86	Rear Clip	/	/	/	/
87	Mounting Ring	/	/	/	/
88	Connector 2	/	/	/	/
89	Cover Plate	/	/	/	/

Above data is subject to change without notice.

NO.	Description	Part Code		Qty
		GPC12AN-K5NNA1A	GPC10AN-K5NNA1A	
	Product Code	CK010032403	CK010032301	
1	Liquid Level Switch	4501008001	4501008001	1
2	Supporter(LiquidLevelSwitch)	012060001586	012060001586	1
3	fixed support (Compressor)	20011500074	20011500074	1
4	Castor	24236009	24236009	4
5	Chassis Sub-assy	209020060010	209020060010	1
6	Chassis Assy	209058060102	209058060102	1
7	Drainage Plug for Base Plate	760015000001	760015000001	1
8	Fan Motor	15010100013402	15010100013402	1
9	Splash Water Flywheel	10336003	10336003	1
10	Motor Sub-assy(Flutter)	000089060002	000089060002	1
11	Supporting Board 1	01796035	01796035	2
12	Condenser Assy	/	011002060509	1
13	Air Duct Sub-assy 1	017107060018	017107060018	1
14	Motor Holder (Lower)	200121060005	200121060005	1
15	Centrifugal Fan	10316079	10316079	1
16	Detecting Plate	300018060062	300018060062	1
17	Display Board	300001060305	300001060305	1
18	Diversion Circle (lower)	200150060004	200150060004	1
19	Fan Motor	150101000003	150101000003	1
20	Wire Clamp	71010103	71010103	1
21	Clamp	7101600508	7101600508	2
22	Rear Plate	200245060004	200245060004	1
23	Water Retaining Box	200107000002	200107000002	1
24	Cable Cross Plate	200147060002	200147060002	1
25	Rear Grill	01476050	01476050	1
26	Rubber Plug	76001606000301	76001606000301	1
27	Cover of drainage hole	200170060001	200170060001	1
28	Filter Sub-assy 2	111001060051	111001060051	2
29	Motor Holder (Upper)	200121060004	200121060004	1
30	Centifugal Fan	103003060009	103003060009	1
31	Diversion Circle (Upper)	200150060005	200150060005	1
32	Fan Motor	1501620809	1501620809	1
33	Filter Sub-assy 1	111001060050	111001060050	1
34	Axile Bush	10542704	10542704	1
35	Rear Grill	016001060018	016001060018	1
36	Stepping Motor	1521210803	1521210803	1
37	Crank 1	200023060003	200023060003	1
38	Fixed support (sweep motor)	200115060009	200115060009	1
39	Connecting Rod	200081060020	200081060020	1
40	Cover of Volute	200223060002	200223060002	1
41	Crank 2	200023060002	200023060002	1
42	Air Duct Sub-assy 2	017107060019	017107060019	1
43	Supporting Board 3	01207200097	01207200097	2
44	Evaporator Assy	/	011001060506	1
45	Display Board	300001000269	300001000269	1
46	Decorative Strip 1	230001060063	230001060063	1
47	Guide Louver	200004060036	200004060036	1
48	Membrane	600006060072	600006060072	1
49	Decorative Strip 2	230001060064	230001060064	1
50	Top Cover	200106060010	200106060010	1
51	Top Cover Assy	000097060099	000097060099	1
52	Electric Box Cover Sub-Assy	017053060019	017053060019	1
53	Electric Box Cover	12020060124	012020060124	1
54	Electric Box Cover1	200082060030	200082060030	1

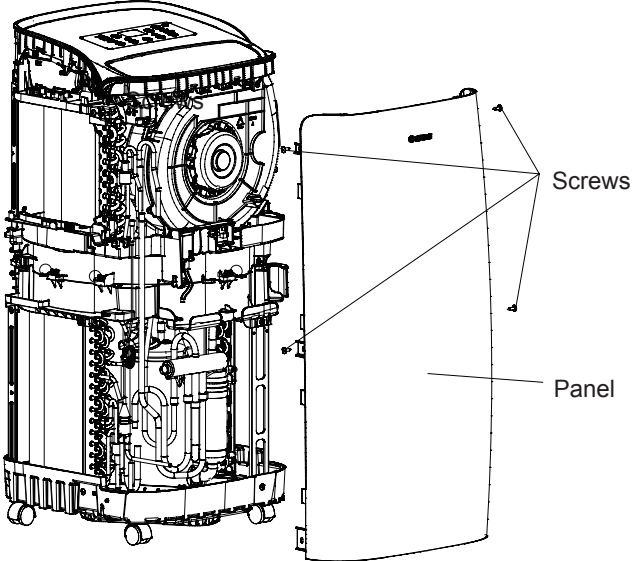
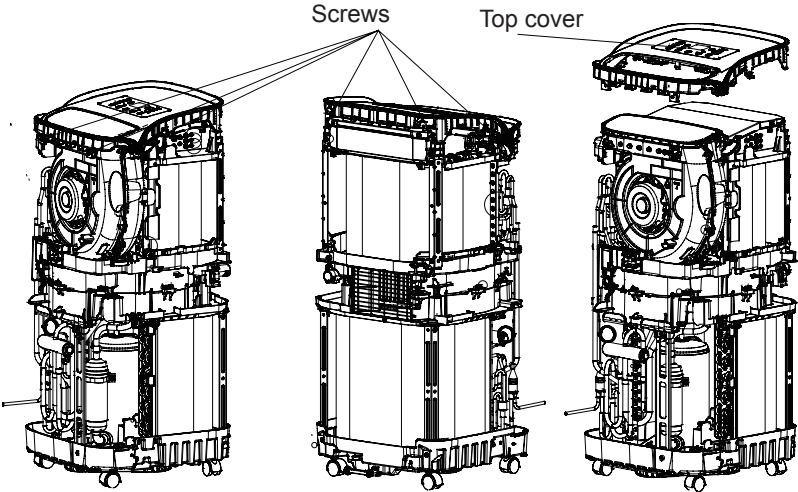
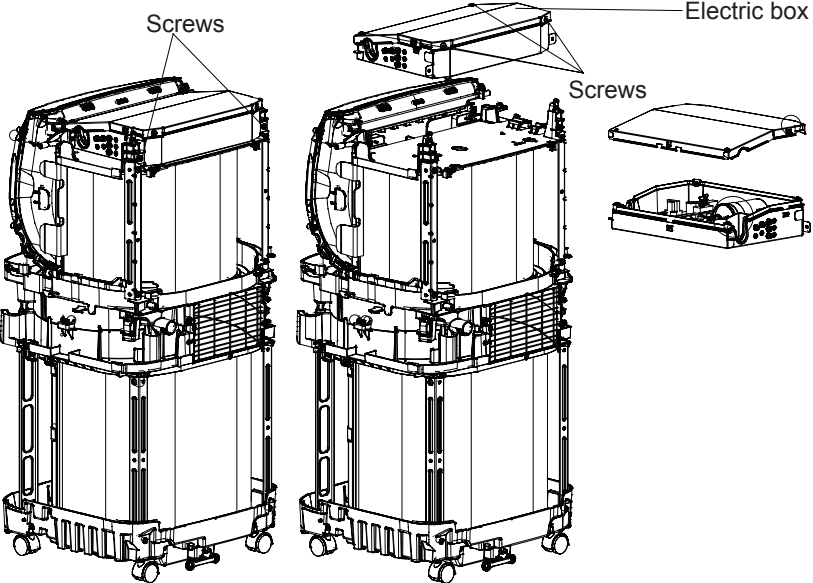
55	Tube sensor	390002073	390002073	1
56	Tube sensor	390000592	390000592	1
57	Temperature Sensor	390000456	390000456	1
58	Capacitor Clamp	2143401	02143401	1
59	Main Board	300002060432	300002060432	1
60	Capacitor CBB65	33000081	33000081	1
61	Capacitor CBB61	3301074710	3301074710	2
62	Pass Wire Ring Sub-assy	76614102	76614102	1
63	Electric Box	12017060183	012017060183	1
64	Electric Box Sub-Assy	17007060387	017007060387	1
65	Electric Box Assy	100002064086	100002064087	1
66	Discharge Tube Sub-assy	/	030013060548	/
67	Front Panel	200003060065T	200003060065T	1
68	Capillary Sub-assy	030006060281	030006060402	1
69	Inhalation Tube Sub-assy	/	030010060453	/
70	Covering Plate	01256026A	01256026A	1
71	Compressor and Fittings	9001060138	009001000174	1
72	Supporting Strip	1796007	01796007	1
73	Power Cord	4002046423	4002046423	1
74	Remote Controller	305001000093	305001000093	1
75	Tie-in 1	20010900023	20010900023	1
76	Pipe	5236058	05236058	1
77	Rear Clip (upper)	26116132	26116132	1
78	Rear Clip (nether)	26116135	26116135	1
79	Mothproof Net	11126082	11126082	1
80	Baffle Plate	2611612001	2611612001	1
81	Back Plate1	2611611401	2611611401	1
82	Adjusting plate	26116121	26116121	1
83	Back Plate 2	26116175	26116175	1
84	Window Locking Bracket	02111151	02111151	1
85	Drainage Hose	/	05236502	1
86	Rear Clip	/	/	/
87	Mounting Ring	/	/	/
88	Connector 2	/	/	/
89	Cover Plate	/	/	/

Above data is subject to change without notice.

NO.	Description	Part Code			Qty
		GPH12AN-K5NNA1A			
		Product Code	CK010031300	CK010031302	
1	Liquid Level Switch	4501008001	4501008001	4501008001	1
2	Supporter(LiquidLevelSwitch)	012060001586	012060001586	012060001586	1
3	fixed support (Compressor)	20011500074	20011500074	20011500074	1
4	Castor	24236009	24236009	24236009	4
5	Chassis Sub-assy	209020060010	209020060010	209020060010	1
6	Chassis Assy	209058060102	209058060102	209058060102	1
7	Drainage Plug for Base Plate	760015000001	760015000001	760015000001	1
8	Fan Motor	15010100013402	15010100013402	15010100013402	1
9	Splash Water Flywheel	10336003	10336003	10336003	1
10	Motor Sub-assy(Flutter)	000089060002	000089060002	000089060002	1
11	Supporting Board 1	01796035	01796035	01796035	2
12	Condenser Assy	/	011002060588	011002060588	1
13	Air Duct Sub-assy 1	017107060018	017107060018	017107060018	1
14	Motor Holder (Lower)	200121060005	200121060005	200121060005	1
15	Centrifugal Fan	10316079	10316079	10316079	1
16	Detecting Plate	300018060062	300018060062	300018060062	1
17	Display Board	300001060305	300001060305	300001060305	1
18	Diversion Circle (lower)	200150060004	200150060004	200150060004	1
19	Fan Motor	150101000003	150101000003	150101000003	1
20	Wire Clamp	71010103	71010103	71010103	1
21	Clamp	7101600508	7101600508	7101600508	2
22	Rear Plate	200245060004	200245060004	200245060004	1
23	Water Retaining Box	200107000002	200107000002	200107000002	1
24	Cable Cross Plate	200147060002	200147060002	200147060002	1
25	Rear Grill	01476050	01476050	01476050	1
26	Rubber Plug	76001606000301	76001606000301	76001606000301	1
27	Cover of drainage hole	200170060001	200170060001	200170060001	1
28	Filter Sub-assy 2	111001060051	111001060051	111001060051	2
29	Motor Holder (Upper)	200121060004	200121060004	200121060004	1
30	Centifugal Fan	103003060009	103003060009	103003060009	1
31	Diversion Circle (Upper)	200150060005	200150060005	200150060005	1
32	Fan Motor	1501620809	1501620809	1501620809	1
33	Filter Sub-assy 1	111001060050	111001060050	111001060050	1
34	Axile Bush	10542704	10542704	10542704	1
35	Rear Grill	016001060018	016001060018	016001060018	1
36	Stepping Motor	1521210803	1521210803	1521210803	1
37	Crank 1	200023060003	200023060003	200023060003	1
38	Fixed support (sweep motor)	200115060009	200115060009	200115060009	1
39	Connecting Rod	200081060020	200081060020	200081060020	1
40	Cover of Volute	200223060002	200223060002	200223060002	1
41	Crank 2	200023060002	200023060002	200023060002	1
42	Air Duct Sub-assy 2	017107060019	017107060019	017107060019	1
43	Supporting Board 3	01207200097	01207200097	01207200097	2
44	Evaporator Assy	/	011001060525	011001060525	1
45	Display Board	300001060304	300001060304	300001060304	1
46	Decorative Strip 1	230001060063	230001060063	230001060063	1
47	Guide Louver	200004060036	200004060036	200004060036	1
48	Membrane	600006060060	600006060060	600006060060	1
49	Decorative Strip 2	230001060064	230001060064	230001060064	1
50	Top Cover	200106060010	200106060010	200106060010	1
51	Top Cover Assy	000097060081	000097060081	000097060081	1
52	Electric Box Cover Sub-Assy	017053060019	017053060019	017053060019	1
53	Electric Box Cover	012020060124	012020060124	012020060124	1
54	Electric Box Cover1	200082060030	200082060030	200082060030	1

55	Tube sensor	390002073	390002073	390002073	1
56	Tube sensor	390000592	390000592	390000592	1
57	Temperature Sensor	390000456	390000456	390000456	1
58	Capacitor Clamp	02143401	02143401	02143401	1
59	Main Board	300002060006	300002060006	300002060006	1
60	Capacitor CBB65	3300008101	3300008101	3300008101	1
61	Capacitor CBB61	3301074710	3301074710	3301074710	2
62	Pass Wire Ring Sub-assy	76614102	76614102	76614102	1
63	Electric Box	012017060183	012017060183	012017060183	1
64	Electric Box Sub-Assy	017007060387	017007060387	017007060387	1
65	Electric Box Assy	100002063097	100002063097	100002063097	1
66	Front Panel	200003060065T	200003060065T	200003060065T	1
67	Capillary Sub-assy	030006060281	030006060281	030006060281	1
68	4-Way Valve Assy	030152060172	030152060288	030152060288	1
69	Covering Plate	01256026A	01256026A	01256026A	1
70	Compressor and Fittings	009001060138	009001060138	009001060138	1
71	Supporting Strip	01796007	01796007	01796007	1
72	Power Cord	4002046423	4002046423	4002046423	1
73	Remote Controller	305001000093	305001000093	305001000093	1
74	Tie-in 1	20010900023	20010900023	20010900023	1
75	Pipe	05236058	05236058	05236058	1
76	Rear Clip (upper)	26116132	/	26116132	1
77	Rear Clip (nether)	26116135	/	26116135	1
78	Mothproof Net	/	/	11126082	1
79	Baffle Plate	/	/	2611612001	1
80	Back Plate1	/	/	2611611401	1
81	Adjusting plate	/	/	26116121	1
82	Back Plate 2	/	/	26116175	1
83	Window Locking Bracket	/	/	02111151	1
84	Drainage Hose	/	05236502	05236502	1
85	Rear Clip	/	200246000003	/	1
86	Mounting Ring	/	0664601001	/	1
87	Connector 2	/	200109060003	/	1
88	Cover Plate	/	200076060003	/	1

Above data is subject to change without notice.

Step	Procedure
<p>4.Remove panel</p>	<p>Remove 4 screws on the panel and then take out the panel.</p> 
<p>5.Remove top cover</p>	<p>Remove 6 screws used for fixing the top cover and then take out the top cover.</p> 
<p>6.Remove electric box</p>	<p>Remove 4 screws on the electric box and then open the electric box.</p> 

Appendix:

Appendix 1: Reference Sheet of Celsius and Fahrenheit

Conversion formula for Fahrenheit degree and Celsius degree: $T_f = T_c \times 1.8 + 32$

Set temperature

Fahrenheit display temperature (°F)	Fahrenheit (°F)	Celsius (°C)	Fahrenheit display temperature (°F)	Fahrenheit (°F)	Celsius (°C)	Fahrenheit display temperature (°F)	Fahrenheit (°F)	Celsius (°C)
61	60.8	16	69/70	69.8	21	78/79	78.8	26
62/63	62.6	17	71/72	71.6	22	80/81	80.6	27
64/65	64.4	18	73/74	73.4	23	82/83	82.4	28
66/67	66.2	19	75/76	75.2	24	84/85	84.2	29
68	68	20	77	77	25	86	86	30

Ambient temperature

Fahrenheit display temperature (°F)	Fahrenheit (°F)	Celsius (°C)	Fahrenheit display temperature (°F)	Fahrenheit (°F)	Celsius (°C)	Fahrenheit display temperature (°F)	Fahrenheit (°F)	Celsius (°C)
32/33	32	0	55/56	55.4	13	79/80	78.8	26
34/35	33.8	1	57/58	57.2	14	81	80.6	27
36	35.6	2	59/60	59	15	82/83	82.4	28
37/38	37.4	3	61/62	60.8	16	84/85	84.2	29
39/40	39.2	4	63	62.6	17	86/87	86	30
41/42	41	5	64/65	64.4	18	88/89	87.8	31
43/44	42.8	6	66/67	66.2	19	90	89.6	32
45	44.6	7	68/69	68	20	91/92	91.4	33
46/47	46.4	8	70/71	69.8	21	93/94	93.2	34
48/49	48.2	9	72	71.6	22	95/96	95	35
50/51	50	10	73/74	73.4	23	97/98	96.8	36
52/53	51.8	11	75/76	75.2	24	99	98.6	37
54	53.6	12	77/78	77	25			

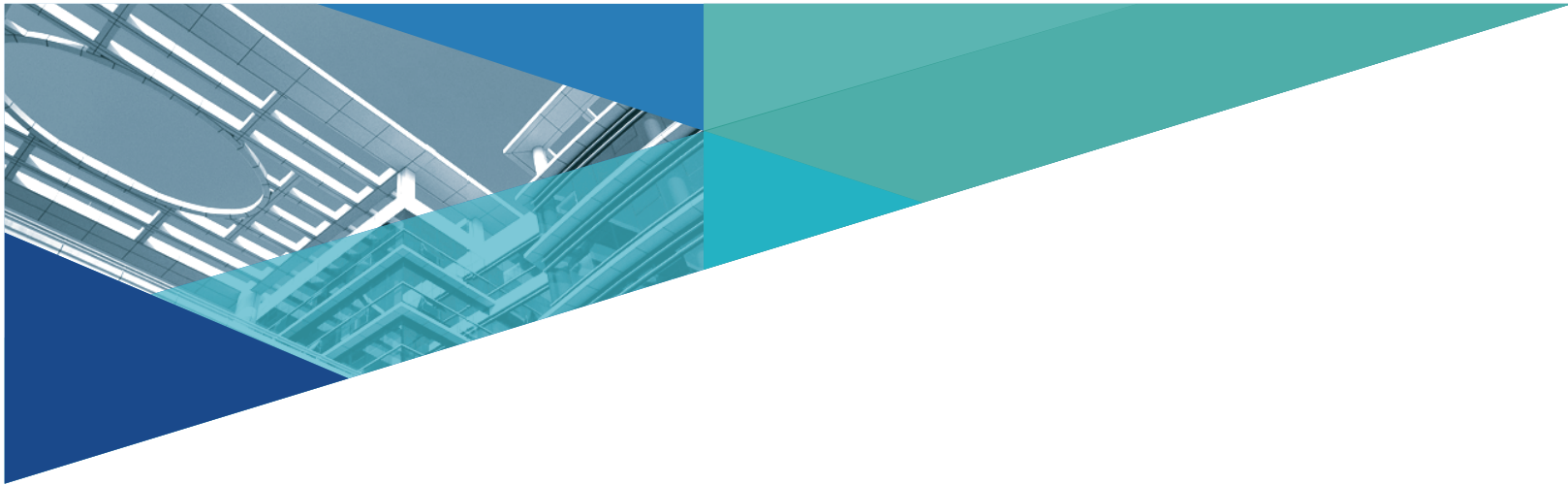
Appendix 2: List of Resistance for Temperature Sensor

Resistance table of temperature sensor (15K)

Temp(°C)	Resistance(kΩ)	Temp(°C)	Resistance(kΩ)	Temp(°C)	Resistance(kΩ)	Temp(°C)	Resistance(kΩ)
-19	138.1	20	18.75	59	3.848	98	1.071
-18	128.6	21	17.93	60	3.711	99	1.039
-17	121.6	22	17.14	61	3.579	100	1.009
-16	115	23	16.39	62	3.454	101	0.98
-15	108.7	24	15.68	63	3.333	102	0.952
-14	102.9	25	15	64	3.217	103	0.925
-13	97.4	26	14.36	65	3.105	104	0.898
-12	92.22	27	13.74	66	2.998	105	0.873
-11	87.35	28	13.16	67	2.896	106	0.848
-10	82.75	29	12.6	68	2.797	107	0.825
-9	78.43	30	12.07	69	2.702	108	0.802
-8	74.35	31	11.57	70	2.611	109	0.779
-7	70.5	32	11.09	71	2.523	110	0.758
-6	66.88	33	10.63	72	2.439	111	0.737
-5	63.46	34	10.2	73	2.358	112	0.717
-4	60.23	35	9.779	74	2.28	113	0.697
-3	57.18	36	9.382	75	2.206	114	0.678
-2	54.31	37	9.003	76	2.133	115	0.66
-1	51.59	38	8.642	77	2.064	116	0.642
0	49.02	39	8.297	78	1.997	117	0.625
1	46.6	40	7.967	79	1.933	118	0.608
2	44.31	41	7.653	80	1.871	119	0.592
3	42.14	42	7.352	81	1.811	120	0.577
4	40.09	43	7.065	82	1.754	121	0.561
5	38.15	44	6.791	83	1.699	122	0.547
6	36.32	45	6.529	84	1.645	123	0.532
7	34.58	46	6.278	85	1.594	124	0.519
8	32.94	47	6.038	86	1.544	125	0.505
9	31.38	48	5.809	87	1.497	126	0.492
10	29.9	49	5.589	88	1.451	127	0.48
11	28.51	50	5.379	89	1.408	128	0.467
12	27.18	51	5.197	90	1.363	129	0.456
13	25.92	52	4.986	91	1.322	130	0.444
14	24.73	53	4.802	92	1.282	131	0.433
15	23.6	54	4.625	93	1.244	132	0.422
16	22.53	55	4.456	94	1.207	133	0.412
17	21.51	56	4.294	95	1.171	134	0.401
18	20.54	57	4.139	96	1.136	135	0.391
19	19.63	58	3.99	97	1.103	136	0.382

Resistance table of temperature sensor (20K)

Temp(°C)	Resistance(kΩ)	Temp(°C)	Resistance(kΩ)	Temp(°C)	Resistance(kΩ)	Temp(°C)	Resistance(kΩ)
-19	181.4	20	25.01	59	5.13	98	1.427
-18	171.4	21	23.9	60	4.948	99	1.386
-17	162.1	22	22.85	61	4.773	100	1.346
-16	153.3	23	21.85	62	4.605	101	1.307
-15	145	24	20.9	63	4.443	102	1.269
-14	137.2	25	20	64	4.289	103	1.233
-13	129.9	26	19.14	65	4.14	104	1.198
-12	123	27	18.13	66	3.998	105	1.164
-11	116.5	28	17.55	67	3.861	106	1.131
-10	110.3	29	16.8	68	3.729	107	1.099
-9	104.6	30	16.1	69	3.603	108	1.069
-8	99.13	31	15.43	70	3.481	109	1.039
-7	94	32	14.79	71	3.364	110	1.01
-6	89.17	33	14.18	72	3.252	111	0.983
-5	84.61	34	13.59	73	3.144	112	0.956
-4	80.31	35	13.04	74	3.04	113	0.93
-3	76.24	36	12.51	75	2.94	114	0.904
-2	72.41	37	12	76	2.844	115	0.88
-1	68.79	38	11.52	77	2.752	116	0.856
0	65.37	39	11.06	78	2.663	117	0.833
1	62.13	40	10.62	79	2.577	118	0.811
2	59.08	41	10.2	80	2.495	119	0.77
3	56.19	42	9.803	81	2.415	120	0.769
4	53.46	43	9.42	82	2.339	121	0.746
5	50.87	44	9.054	83	2.265	122	0.729
6	48.42	45	8.705	84	2.194	123	0.71
7	46.11	46	8.37	85	2.125	124	0.692
8	43.92	47	8.051	86	2.059	125	0.674
9	41.84	48	7.745	87	1.996	126	0.658
10	39.87	49	7.453	88	1.934	127	0.64
11	38.01	50	7.173	89	1.875	128	0.623
12	36.24	51	6.905	90	1.818	129	0.607
13	34.57	52	6.648	91	1.736	130	0.592
14	32.98	53	6.403	92	1.71	131	0.577
15	31.47	54	6.167	93	1.658	132	0.563
16	30.04	55	5.942	94	1.609	133	0.549
17	28.68	56	5.726	95	1.561	134	0.535
18	27.39	57	5.519	96	1.515	135	0.521
19	26.17	58	5.32	97	1.47	136	0.509



JF00303899



GREE ELECTRIC APPLIANCES, INC. OF ZHUHAI

Add: West Jinji Rd, Qianshan, Zhuhai,Guangdong, China, 519070
Tel: (+86-756) 8522218
Fax: (+86-756) 8669426
E-mail: gree@gree.com.cn www.gree.com

HONG KONG GREE ELECTRIC APPLIANCES SALES LIMITED

Add: Unit 2612,26/F.,Miramar Tower 132 Nathan Road,TST,Kowloon,HK
Tel: (852) 31658898 Fax: (852) 31651029

For product improvement, specifications and appearance in this manual are subject to change without prior notice.